

DATA SHEET

74ABT833

Octal transceiver with parity
generator/checker (3-State)

Product data
Supersedes data of 1993 Jun 21

2002 Dec 17

Octal transceiver with parity generator/checker (3-State)

74ABT833

FEATURES

- Low static and dynamic power dissipation with high speed and high output drive
- Open-collector $\overline{\text{ERROR}}$ output with flag register
- Output capability: +64 mA / -32 mA
- Latch-up protection exceeds 500 mA per Jedec Std 17
- ESD protection exceeds 2000 V per MIL STD 883 Method 3015 and 200 V per Machine Model
- Power-up/down 3-State
- Live insertion/extraction permitted

DESCRIPTION

The 74ABT833 high-performance BiCMOS device combines low static and dynamic power dissipation with high speed and high output drive.

The 74ABT833 is an octal transceiver with a parity generator/checker and is intended for bus-oriented applications.

When Output Enable A ($\overline{\text{OE}}\overline{\text{A}}$) is HIGH, it will place the A outputs in a high impedance state. Output Enable B ($\overline{\text{OE}}\overline{\text{B}}$) controls the B outputs in the same way.

The parity generator creates an odd parity output (PARITY) when $\overline{\text{OE}}\overline{\text{B}}$ is LOW. When $\overline{\text{OE}}\overline{\text{A}}$ is LOW, the parity of the B port, including the PARITY input, is checked for odd parity. When an error is detected, the error data is sent to the input of a storage register. If a LOW-to-HIGH transition happens at the clock input (CP), the error data is stored in the register and the Open-collector error flag ($\overline{\text{ERROR}}$) will go LOW. The error flag register is cleared with a LOW pulse on the CLEAR input.

If both $\overline{\text{OE}}\overline{\text{A}}$ and $\overline{\text{OE}}\overline{\text{B}}$ are LOW, data will flow from the A bus to the B bus and the part is forced into an error condition which creates an inverted PARITY output. This error condition can be used by the designer for system diagnostics.

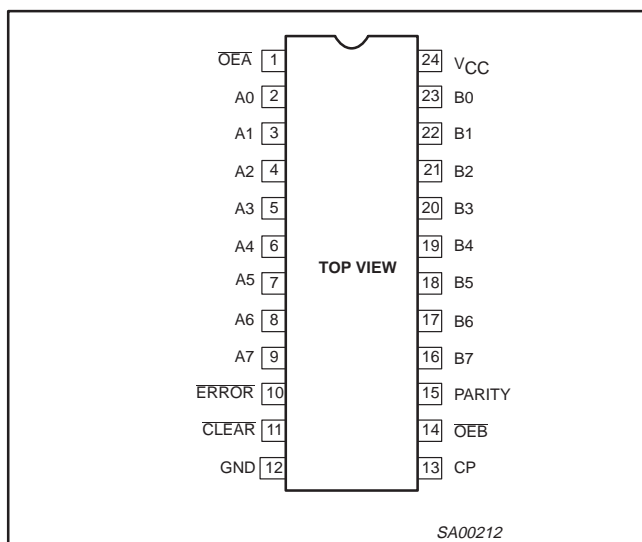
QUICK REFERENCE DATA

SYMBOL	PARAMETER	CONDITIONS $T_{\text{amb}} = 25\text{ }^{\circ}\text{C}; \text{GND} = 0\text{ V}$	TYPICAL	UNIT
t_{PLH} t_{PHL}	Propagation delay An to Bn or Bn to An	$C_L = 50\text{ pF}; V_{\text{CC}} = 5\text{ V}$	3.4	ns
t_{PLH} t_{PHL}	Propagation delay An to PARITY	$C_L = 50\text{ pF}; V_{\text{CC}} = 5\text{ V}$	7.4	ns
C_{IN}	Input capacitance	$V_I = 0\text{ V}$ or V_{CC}	4	pF
$C_{\text{I/O}}$	I/O capacitance	Outputs disabled; $V_O = 0\text{ V}$ or V_{CC}	7	pF
I_{CCZ}	Total supply current	Outputs disabled; $V_{\text{CC}} = 5.5\text{ V}$	50	μA

ORDERING INFORMATION

PACKAGES	TEMPERATURE RANGE	PART NUMBER	DWG NUMBER
24-Pin plastic SO	-40 °C to +85 °C	74ABT833D	SOT137-1
24-Pin Plastic SSOP Type II	-40 °C to +85 °C	74ABT833DB	SOT340-1
24-Pin Plastic TSSOP Type I	-40 °C to +85 °C	74ABT833PW	SOT355-1

PIN CONFIGURATION



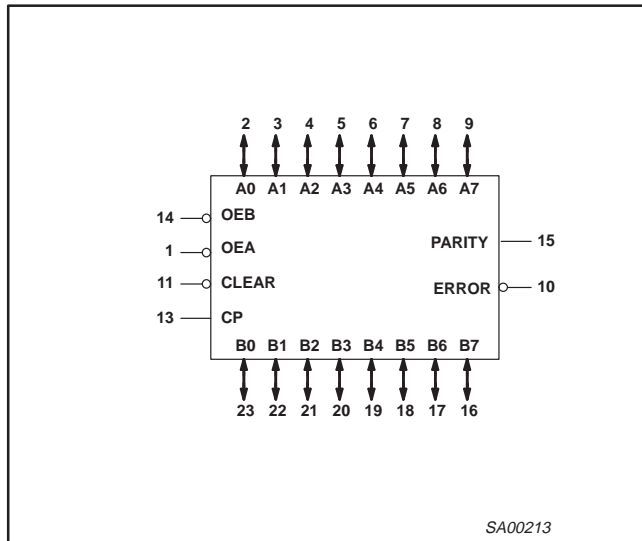
PIN DESCRIPTION

SYMBOL	PIN NUMBER	NAME AND FUNCTION
A0 – A7	2, 3, 4, 5, 6, 7, 8, 9	A port 3-State inputs/outputs
B0 – B7	23, 22, 21, 20, 19, 18, 17, 16	B port 3-State inputs/outputs
$\overline{\text{OE}}\overline{\text{A}}$	1	Enables the A outputs when LOW
$\overline{\text{OE}}\overline{\text{B}}$	14	Enables the B outputs when LOW
PARITY	15	Parity output/input
$\overline{\text{ERROR}}$	10	Error output (open collector)
CLEAR	11	Clears the error flag register when LOW
CP	13	Clock input
GND	12	Ground (0 V)
V_{CC}	24	Positive supply voltage

Octal transceiver with parity generator/checker (3-State)

74ABT833

LOGIC SYMBOL



FUNCTION TABLE

MODE	INPUTS				OUTPUTS		
	\overline{OEB}	\overline{OEA}	An Σ of Highs	Bn + Parity Σ of Highs	An	Bn	PARITY
A data to B bus and generate odd parity output	L	H	Odd Even	(output)	(input)	An	L H
B data to A bus and check for parity error ¹	H	L	(output)	X	Bn	(input)	(input)
A bus and B bus disabled ²	H	H	X	X	Z	Z	Z
A data to B bus and generate inverted parity output	L	L	Odd Even	(output)	(input)	An	H L

NOTES:

1. Error checking is detailed in the Error Flag Function Table below.
2. When clocked, the error output is LOW if the sum of A inputs is even or HIGH if the sum of A inputs is odd.

ERROR FLAG FUNCTION TABLE

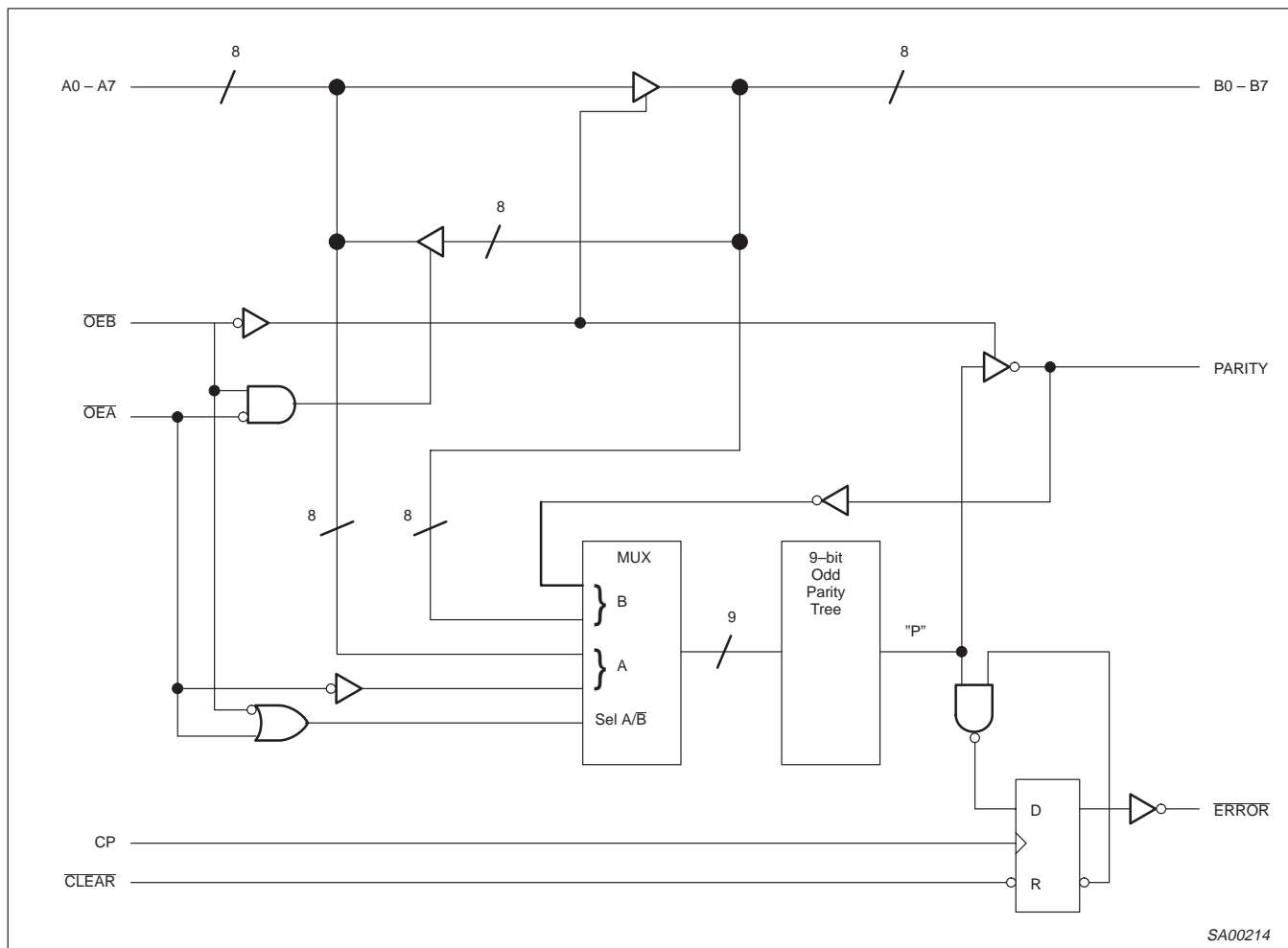
MODE	INPUTS			Internal node Point "P"	Output Pre-state ERROR _{n-1}	\overline{ERROR} OUTPUT
	CLEAR	CP	Bn + Parity Σ of Highs			
Sample	H	↑	Odd	H	H	H
	H	↑	Even	L	X	L
	H	X	X	X	L	L
Hold	H	↕	X	X	X	NC
Clear	L	X	X	X	X	H

- H = HIGH voltage level steady state
- L = LOW voltage level steady state
- X = Don't care
- NC = No change
- Z = High impedance "off" state
- ↑ = LOW-to-HIGH clock transition
- ↕ = Not a LOW-to-HIGH clock transition

Octal transceiver with parity generator/checker (3-State)

74ABT833

LOGIC DIAGRAM



ABSOLUTE MAXIMUM RATINGS^{1, 2}

SYMBOL	PARAMETER	CONDITIONS	RATING	UNIT
V_{CC}	DC supply voltage		-0.5 to +7.0	V
I_{IK}	DC input diode current	$V_I < 0$ V	-18	mA
V_I	DC input voltage ³		-1.2 to +7.0	V
I_{OK}	DC output diode current	$V_O < 0$ V	-50	mA
V_{OUT}	DC output voltage ³	output in Off or HIGH state	-0.5 to +5.5	V
I_{OUT}	DC output current	output in LOW state	128	mA
T_{stg}	Storage temperature range		-65 to 150	°C

NOTES:

1. Stresses beyond those listed may cause permanent damage to the device. These are stress ratings only and functional operation of the device at these or any other conditions beyond those indicated under "recommended operating conditions" is not implied. Exposure to absolute-maximum-rated conditions for extended periods may affect device reliability.
2. The performance capability of a high-performance integrated circuit in conjunction with its thermal environment can create junction temperatures which are detrimental to reliability. The maximum junction temperature of this integrated circuit should not exceed 150 °C.
3. The input and output voltage ratings may be exceeded if the input and output current ratings are observed.

Octal transceiver with parity generator/checker (3-State)

74ABT833

RECOMMENDED OPERATING CONDITIONS

SYMBOL	PARAMETER	LIMITS		UNIT
		Min	Max	
V_{CC}	DC supply voltage	4.5	5.5	V
V_I	Input voltage	0	V_{CC}	V
V_{IH}	HIGH-level input voltage	2.0		V
V_{IL}	LOW-level input voltage		0.8	V
V_{OH}	HIGH-level output voltage, ERROR		5.5	V
I_{OH}	HIGH-level output current		-32	mA
I_{OL}	LOW-level output current		64	mA
$\Delta t/\Delta v$	Input transition rise or fall rate	0	5	ns/V
T_{amb}	Operating free-air temperature range	-40	+85	°C

DC ELECTRICAL CHARACTERISTICS

SYMBOL	PARAMETER	TEST CONDITIONS	LIMITS					UNIT
			$T_{amb} = +25\text{ °C}$			$T_{amb} = -40\text{ °C to }+85\text{ °C}$		
			Min	Typ	Max	Min	Max	
V_{IK}	Input clamp voltage	$V_{CC} = 4.5\text{ V}; I_{IK} = -18\text{ mA}$		-0.9	-1.2		-1.2	V
I_{OH}	HIGH-level output current ERROR ONLY	$V_{CC} = 5.5\text{ V}; V_{OH} = 5.5\text{ V}; V_I = V_{IL}\text{ or }V_{IH}$			20		20	μA
V_{OH}	HIGH-level output voltage All outputs except ERROR	$V_{CC} = 4.5\text{ V}; I_{OH} = -3\text{ mA}; V_I = V_{IL}\text{ or }V_{IH}$	2.5	3.5		2.5		V
		$V_{CC} = 5.0\text{ V}; I_{OH} = -3\text{ mA}; V_I = V_{IL}\text{ or }V_{IH}$	3.0	4.0		3.0		V
		$V_{CC} = 4.5\text{ V}; I_{OH} = -32\text{ mA}; V_I = V_{IL}\text{ or }V_{IH}$	2.0	2.6		2.0		V
V_{OL}	LOW-level output voltage	$V_{CC} = 4.5\text{ V}; I_{OL} = 64\text{ mA}; V_I = V_{IL}\text{ or }V_{IH}$		0.42	0.55		0.55	V
I_I	Input leakage current	Control pins $V_{CC} = 5.5\text{ V}; V_I = \text{GND or }5.5\text{ V}$		± 0.01	± 1.0		± 1.0	μA
		Data pins $V_{CC} = 5.5\text{ V}; V_I = \text{GND or }5.5\text{ V}$		± 5	± 100		± 100	μA
I_{OFF}	Power-off leakage current	$V_{CC} = 0.0\text{ V}; V_I\text{ or }V_O \leq 4.5\text{ V}$		± 5.0	± 100		± 100	V
I_{PUPD}	Power-up/down 3-State output current ³	$V_{CC} = 2.0\text{ V};\text{ or }V_O = 0.5\text{ V}; V_I = \text{GND or }V_{CC}; V_{OE} = \text{Don't care}$		± 5.0	± 50		± 50	V
$I_{IH} + I_{OZH}$	3-State output HIGH current	$V_{CC} = 5.5\text{ V}; V_O = 2.7\text{ V}; V_I = V_{IL}\text{ or }V_{IH}$		5.0	50		50	μA
$I_{IL} + I_{OZL}$	3-State output LOW current	$V_{CC} = 5.5\text{ V}; V_O = 0.5\text{ V}; V_I = V_{IL}\text{ or }V_{IH}$		-5.0	-50		-50	μA
I_{CEX}	Output High leakage current	$V_{CC} = 5.5\text{ V}; V_O = 5.5\text{ V}; V_I = \text{GND or }V_{CC}$		5.0	50		50	μA
I_O	Output current ¹	$V_{CC} = 5.5\text{ V}; V_O = 2.5\text{ V}$	-50	-80	-180	-50	-180	mA
I_{CCH}	Quiescent supply current	$V_{CC} = 5.5\text{ V}; \text{Outputs HIGH, }V_I = \text{GND or }V_{CC}$		50	250		250	μA
I_{CCL}		$V_{CC} = 5.5\text{ V}; \text{Outputs LOW, }V_I = \text{GND or }V_{CC}$		20	30		30	mA
I_{CCZ}		$V_{CC} = 5.5\text{ V}; \text{Outputs 3-State; }V_I = \text{GND or }V_{CC}$		50	250		250	μA
ΔI_{CC}	Additional supply current per input pin ²	$V_{CC} = 5.5\text{ V}; \text{one input at }3.4\text{ V, other inputs at }V_{CC}\text{ or GND}$		0.3	1.5		1.5	mA

NOTES:

- Not more than one output should be tested at a time, and the duration of the test should not exceed one second.
- This is the increase in supply current for each input at 3.4 V.
- This parameter is valid for any V_{CC} between 0 V and 2.1 V, with a transition time of up to 10 msec. From $V_{CC} = 2.1\text{ V}$ to $V_{CC} = 5\text{ V} \pm 10\%$, a transition of up to 100 μsec is permitted. The ERROR output pin 10 is not included in this spec due to the open collector design.

Octal transceiver with parity generator/checker (3-State)

74ABT833

AC CHARACTERISTICS

GND = 0 V; $t_R = t_F = 2.5$ ns; $C_L = 50$ pF, $R_L = 500$ Ω

SYMBOL	PARAMETER	WAVEFORMS	LIMITS					UNIT
			$T_{amb} = +25$ °C $V_{CC} = +5.0$ V			$T_{amb} = -40$ °C to $+85$ °C $V_{CC} = +5.0$ V $\pm 10\%$		
			Min	Typ	Max	Min	Max	
t_{PLH} t_{PHL}	Propagation delay An to Bn or Bn to An	2	1.2 1.0	3.4 2.6	4.8 4.0	1.2 1.0	5.3 4.5	ns
t_{PLH} t_{PHL}	Propagation delay An to PARITY	1 2	2.1 2.5	7.4 7.4	9.5 9.7	2.1 2.5	11.2 11.0	ns
t_{PLH} t_{PHL}	Propagation delay OE \bar{A} to PARITY	1 2	2.6 3.1	6.6 6.7	8.5 8.6	2.6 3.1	10.5 10.0	ns
t_{PLH}	Propagation delay CLEAR to ERROR	5	1.0	2.9	4.4	1.0	5.2	ns
t_{PHL}	Propagation delay CP to ERROR	1	2.5	4.2	5.7	2.5	6.2	ns
t_{PZH} t_{PZL}	Output enable time OE \bar{A} to An or OE \bar{B} to Bn, PARITY	3 4	1.0 2.1	3.2 4.1	5.1 5.8	1.0 2.1	6.2 6.7	ns
t_{PHZ} t_{PLZ}	Output disable time OE \bar{A} to An or OE \bar{B} to Bn, PARITY	3 4	3.1 3.2	5.1 5.6	7.3 7.7	3.1 3.2	7.9 8.1	ns

AC SET-UP REQUIREMENTS

GND = 0 V; $t_R = t_F = 2.5$ ns; $C_L = 50$ pF, $R_L = 500$ Ω

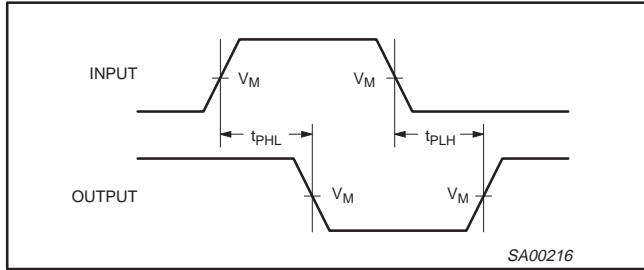
SYMBOL	PARAMETER	WAVEFORMS	LIMITS			UNIT
			$T_{amb} = +25$ °C $V_{CC} = +5.0$ V		$T_{amb} = -40$ °C to $+85$ °C $V_{CC} = +5.0$ V $\pm 10\%$	
			Min	Typ	Min	
$t_s(H)$ $t_s(L)$	Set-up time, High or Low Bn or PARITY to CP	6	9.8 8.1	6.9 4.0	9.8 8.1	ns
$t_h(H)$ $t_h(L)$	Hold time, High or Low Bn or PARITY to CP	6	0.0 0.0	-3.7 -6.7	0.0 0.0	ns
$t_w(H)$ $t_w(L)$	Pulse width, High or Low CP	6	3.0 3.0	1.5 1.0	3.0 3.0	ns
$t_w(L)$	Pulse width, Low CLEAR	5	3.0	1.0	3.0	ns
t_{rec}	Recovery time CLEAR to CP	5	2.0	-0.3	2.0	ns

Octal transceiver with parity generator/checker (3-State)

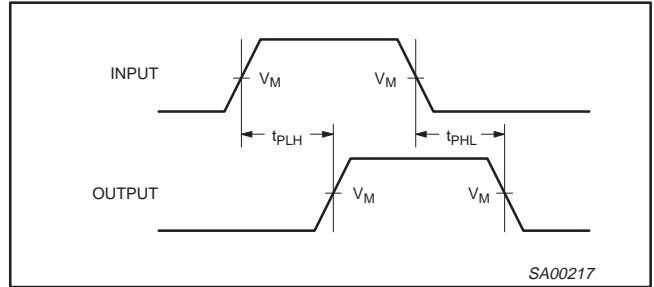
74ABT833

AC WAVEFORMS

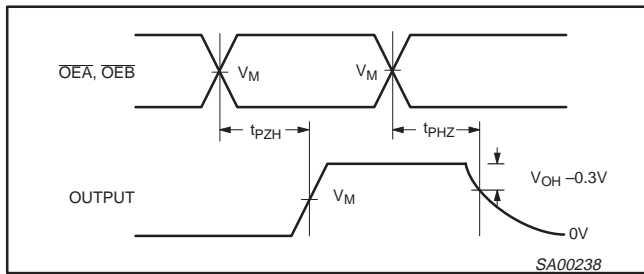
$V_M = 1.5\text{ V}$, $V_{IN} = \text{GND to } 3.0\text{ V}$



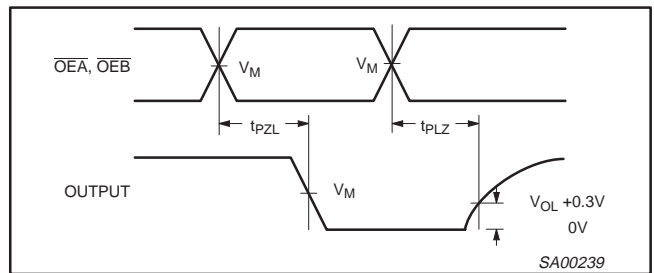
Waveform 1. Propagation Delay for Inverting Output



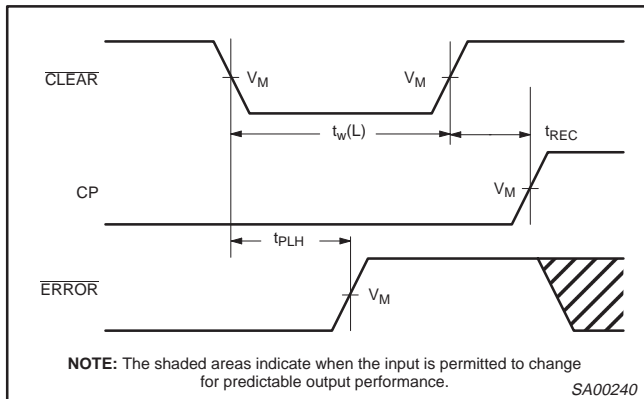
Waveform 2. Propagation Delay for Non-Inverting Output



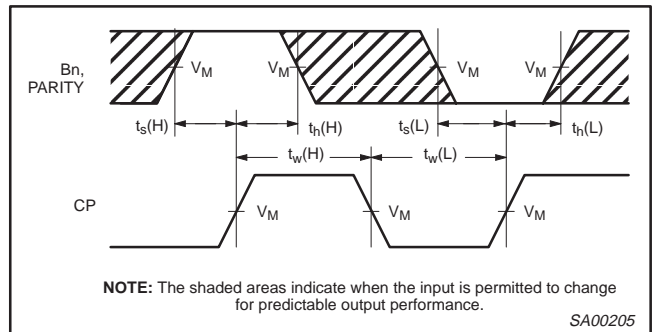
Waveform 3. 3-State Output Enable Time to HIGH Level and Output Disable Time from HIGH Level



Waveform 4. 3-State Output Enable Time to LOW Level and Output Disable Time from LOW Level



Waveform 5. CLEAR Pulse Width, CLEAR to ERROR Delay and CLEAR to Clock Recovery Time

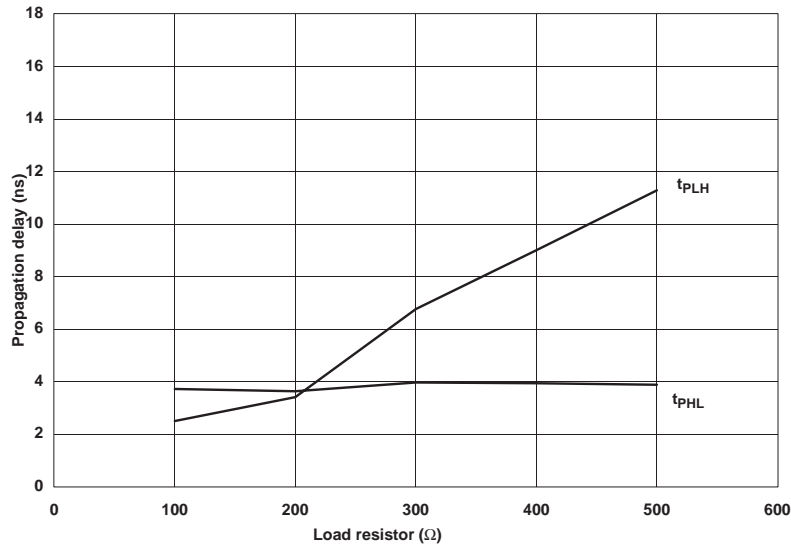


Waveform 6. Data Set-up and Hold Times and Clock Pulse Width

Octal transceiver with parity generator/checker (3-State)

74ABT833

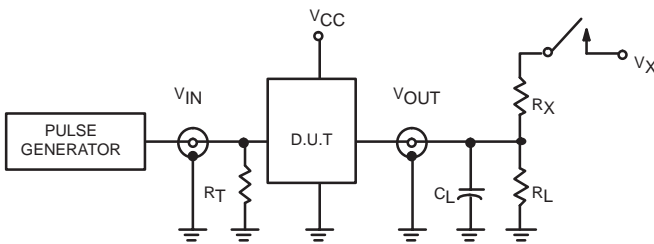
TYPICAL PROPAGATION DELAYS VERSUS LOAD FOR OPEN COLLECTOR OUTPUTS



NOTE:
When using Open-Collector parts, the value of the pull-up resistor greatly affects the value of the t_{PLH}. For example, changing the specified pull-up resistor value from 500Ω to 100Ω will improve the t_{PLH} over 300% with only a slight change in the t_{PHL}. However, if the value of the pull-up resistor is changed, the user must make certain that the total I_{OL} current through the resistor and the total I_{IL}'s of the receivers does not exceed the I_{OL} maximum specification.

SA00241

TEST CIRCUIT AND WAVEFORM



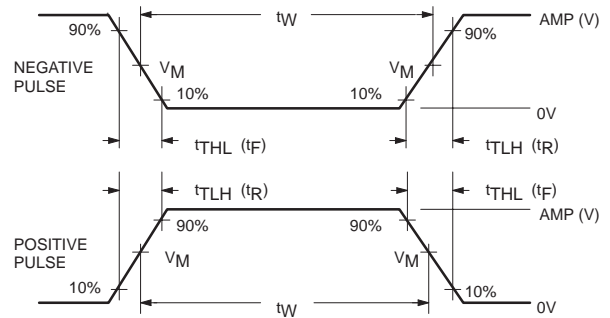
Test Circuit for 3-State Outputs

SWITCH POSITION

TEST	SWITCH
t _{PLZ}	closed
t _{pZL}	closed
All other	open

LOAD VALUES

OUTPUT	R _X	V _X
ERROR	100Ω	V _{CC}
All other	500Ω	7.0V



V_M = 1.5V
Input Pulse Definition

DEFINITIONS

R_L = Load resistor; see AC CHARACTERISTICS for value.

C_L = Load capacitance includes jig and probe capacitance; see AC CHARACTERISTICS for value.

R_T = Termination resistance should be equal to Z_{OUT} of pulse generators.

FAMILY	INPUT PULSE REQUIREMENTS				
	Amplitude	Rep. Rate	t _w	t _R	t _F
74ABT	3.0V	1MHz	500ns	2.5ns	2.5ns

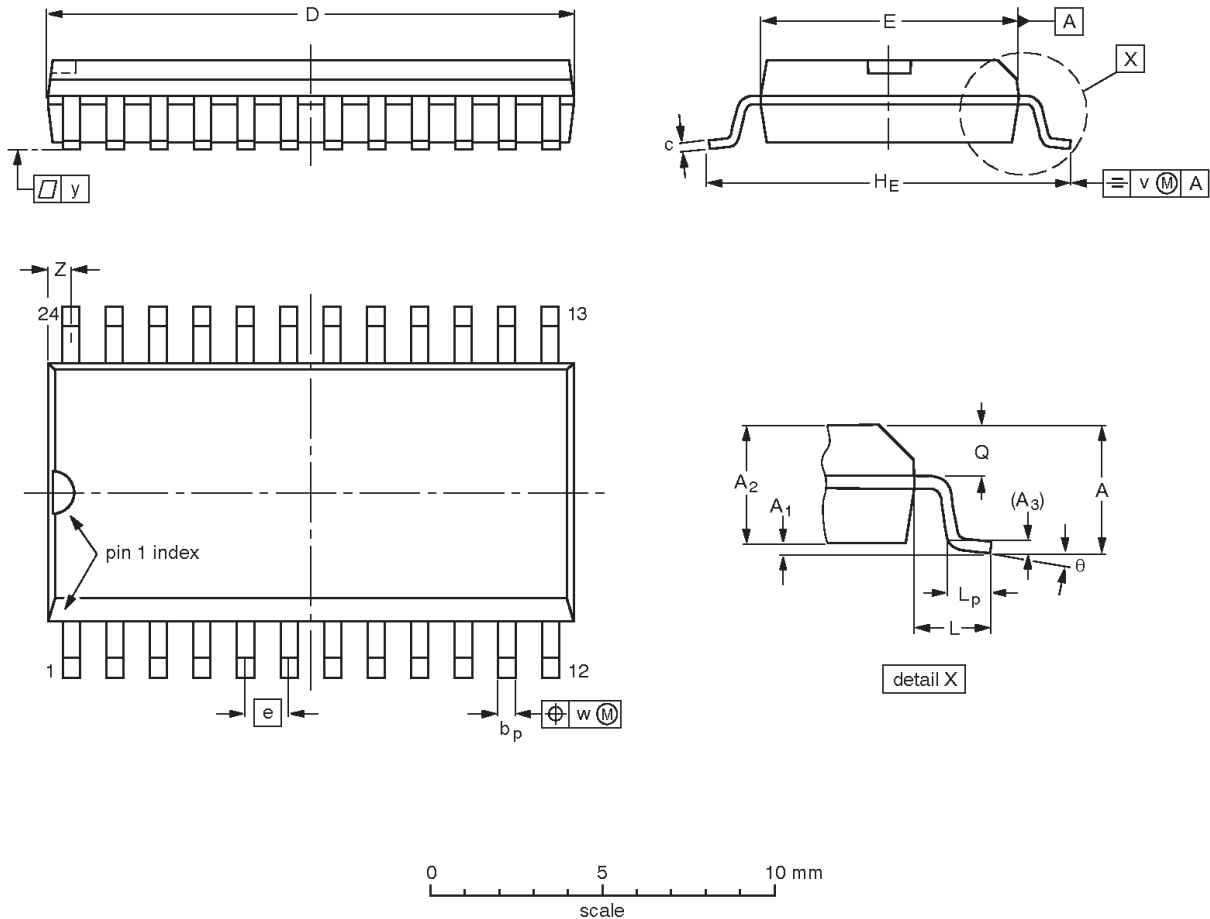
SA00242

Octal transceiver with parity generator/checker (3-State)

74ABT833

SO24: plastic small outline package; 24 leads; body width 7.5 mm

SOT137-1



DIMENSIONS (inch dimensions are derived from the original mm dimensions)

UNIT	A max.	A ₁	A ₂	A ₃	b _p	c	D ⁽¹⁾	E ⁽¹⁾	e	H _E	L	L _p	Q	v	w	y	z ⁽¹⁾	θ
mm	2.65	0.30 0.10	2.45 2.25	0.25	0.49 0.36	0.32 0.23	15.6 15.2	7.6 7.4	1.27	10.65 10.00	1.4	1.1 0.4	1.1 1.0	0.25	0.25	0.1	0.9 0.4	8° 0°
inches	0.10	0.012 0.004	0.096 0.089	0.01	0.019 0.014	0.013 0.009	0.61 0.60	0.30 0.29	0.050	0.419 0.394	0.055	0.043 0.016	0.043 0.039	0.01	0.01	0.004	0.035 0.016	

Note

1. Plastic or metal protrusions of 0.15 mm maximum per side are not included.

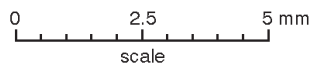
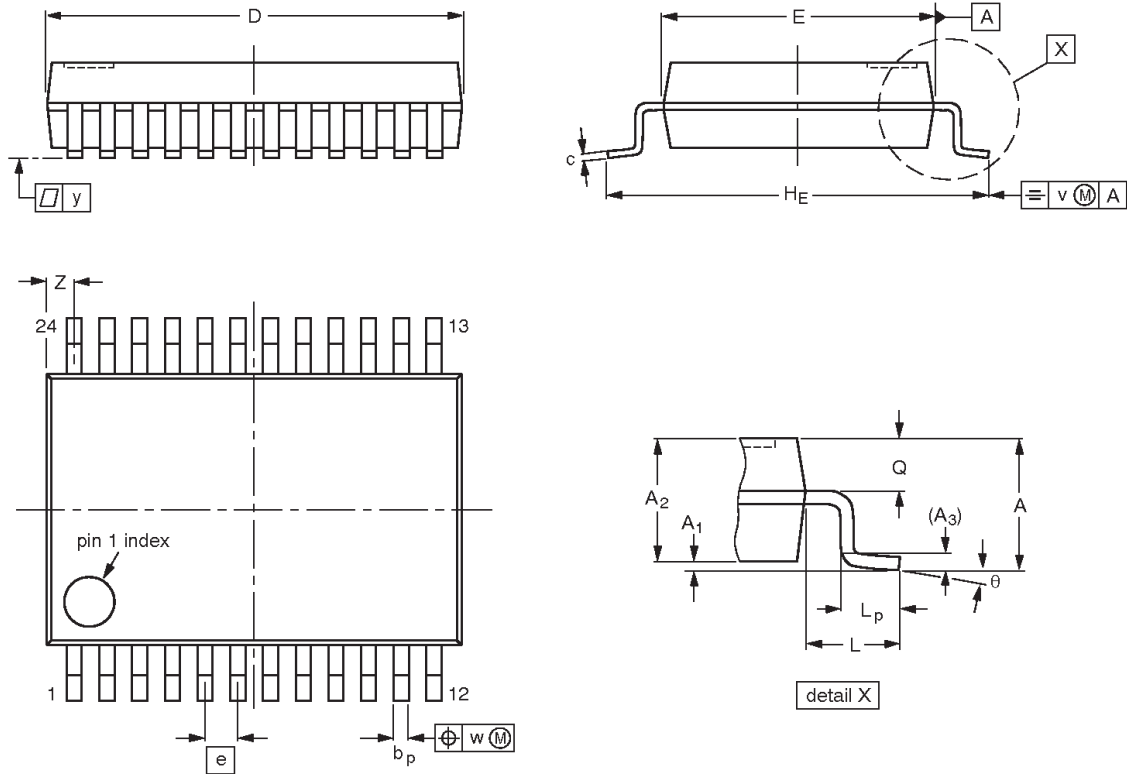
OUTLINE VERSION	REFERENCES				EUROPEAN PROJECTION	ISSUE DATE
	IEC	JEDEC	EIAJ			
SOT137-1	075E05	MS-013				-97-05-22 99-12-27

Octal transceiver with parity generator/checker (3-State)

74ABT833

SSOP24: plastic shrink small outline package; 24 leads; body width 5.3 mm

SOT340-1



DIMENSIONS (mm are the original dimensions)

UNIT	A max.	A ₁	A ₂	A ₃	b _p	c	D ⁽¹⁾	E ⁽¹⁾	e	H _E	L	L _p	Q	v	w	y	Z ⁽¹⁾	θ
mm	2.0	0.21 0.05	1.80 1.65	0.25	0.38 0.25	0.20 0.09	8.4 8.0	5.4 5.2	0.65	7.9 7.6	1.25	1.03 0.63	0.9 0.7	0.2	0.13	0.1	0.8 0.4	8° 0°

Note

1. Plastic or metal protrusions of 0.20 mm maximum per side are not included.

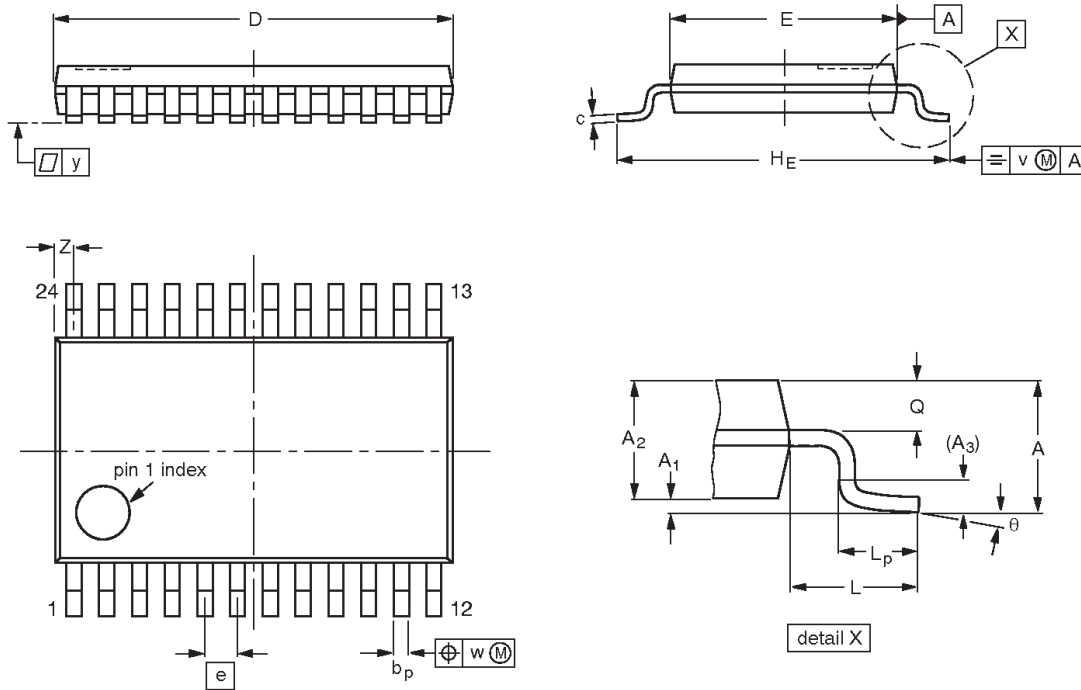
OUTLINE VERSION	REFERENCES				EUROPEAN PROJECTION	ISSUE DATE
	IEC	JEDEC	EIAJ			
SOT340-1		MO-150				95-02-04 99-12-27

Octal transceiver with parity generator/checker (3-State)

74ABT833

TSSOP24: plastic thin shrink small outline package; 24 leads; body width 4.4 mm

SOT355-1



DIMENSIONS (mm are the original dimensions)

UNIT	A max.	A ₁	A ₂	A ₃	b _p	c	D ⁽¹⁾	E ⁽²⁾	e	H _E	L	L _p	Q	v	w	y	Z ⁽¹⁾	θ
mm	1.10	0.15 0.05	0.95 0.80	0.25	0.30 0.19	0.2 0.1	7.9 7.7	4.5 4.3	0.65	6.6 6.2	1.0	0.75 0.50	0.4 0.3	0.2	0.13	0.1	0.5 0.2	8° 0°

Notes

1. Plastic or metal protrusions of 0.15 mm maximum per side are not included.
2. Plastic interlead protrusions of 0.25 mm maximum per side are not included.

OUTLINE VERSION	REFERENCES				EUROPEAN PROJECTION	ISSUE DATE
	IEC	JEDEC	EIAJ			
SOT355-1		MO-153				95-02-04 99-12-27

**Octal transceiver with parity generator/checker
(3-State)**

74ABT833**REVISION HISTORY**

Rev	Date	Description
_2	20021217	Product data (9397 750 10851); ECN 853-1619 29289 of 12 December 2002. Supersedes data of 21 June 1993. Modifications: <ul style="list-style-type: none">● Ordering information table: remove "North America" column; remove 74ABT833N package offering.
_1	19930621	Product specification. ECN 853-1619 10087 of 21 June 1993.

Octal transceiver with parity generator/checker (3-State)

74ABT833

Data sheet status

Level	Data sheet status ^[1]	Product status ^{[2] [3]}	Definitions
I	Objective data	Development	This data sheet contains data from the objective specification for product development. Philips Semiconductors reserves the right to change the specification in any manner without notice.
II	Preliminary data	Qualification	This data sheet contains data from the preliminary specification. Supplementary data will be published at a later date. Philips Semiconductors reserves the right to change the specification without notice, in order to improve the design and supply the best possible product.
III	Product data	Production	This data sheet contains data from the product specification. Philips Semiconductors reserves the right to make changes at any time in order to improve the design, manufacturing and supply. Relevant changes will be communicated via a Customer Product/Process Change Notification (CPCN).

[1] Please consult the most recently issued data sheet before initiating or completing a design.

[2] The product status of the device(s) described in this data sheet may have changed since this data sheet was published. The latest information is available on the Internet at URL <http://www.semiconductors.philips.com>.

[3] For data sheets describing multiple type numbers, the highest-level product status determines the data sheet status.

Definitions

Short-form specification — The data in a short-form specification is extracted from a full data sheet with the same type number and title. For detailed information see the relevant data sheet or data handbook.

Limiting values definition — Limiting values given are in accordance with the Absolute Maximum Rating System (IEC 60134). Stress above one or more of the limiting values may cause permanent damage to the device. These are stress ratings only and operation of the device at these or at any other conditions above those given in the Characteristics sections of the specification is not implied. Exposure to limiting values for extended periods may affect device reliability.

Application information — Applications that are described herein for any of these products are for illustrative purposes only. Philips Semiconductors make no representation or warranty that such applications will be suitable for the specified use without further testing or modification.

Disclaimers

Life support — These products are not designed for use in life support appliances, devices, or systems where malfunction of these products can reasonably be expected to result in personal injury. Philips Semiconductors customers using or selling these products for use in such applications do so at their own risk and agree to fully indemnify Philips Semiconductors for any damages resulting from such application.

Right to make changes — Philips Semiconductors reserves the right to make changes in the products—including circuits, standard cells, and/or software—described or contained herein in order to improve design and/or performance. When the product is in full production (status 'Production'), relevant changes will be communicated via a Customer Product/Process Change Notification (CPCN). Philips Semiconductors assumes no responsibility or liability for the use of any of these products, conveys no license or title under any patent, copyright, or mask work right to these products, and makes no representations or warranties that these products are free from patent, copyright, or mask work right infringement, unless otherwise specified.

Contact information

For additional information please visit
<http://www.semiconductors.philips.com>. Fax: +31 40 27 24825

© Koninklijke Philips Electronics N.V. 2002
All rights reserved. Printed in U.S.A.

Date of release: 12-02

For sales offices addresses send e-mail to:
sales.addresses@www.semiconductors.philips.com

Document order number:

9397 750 10851

Let's make things better.